

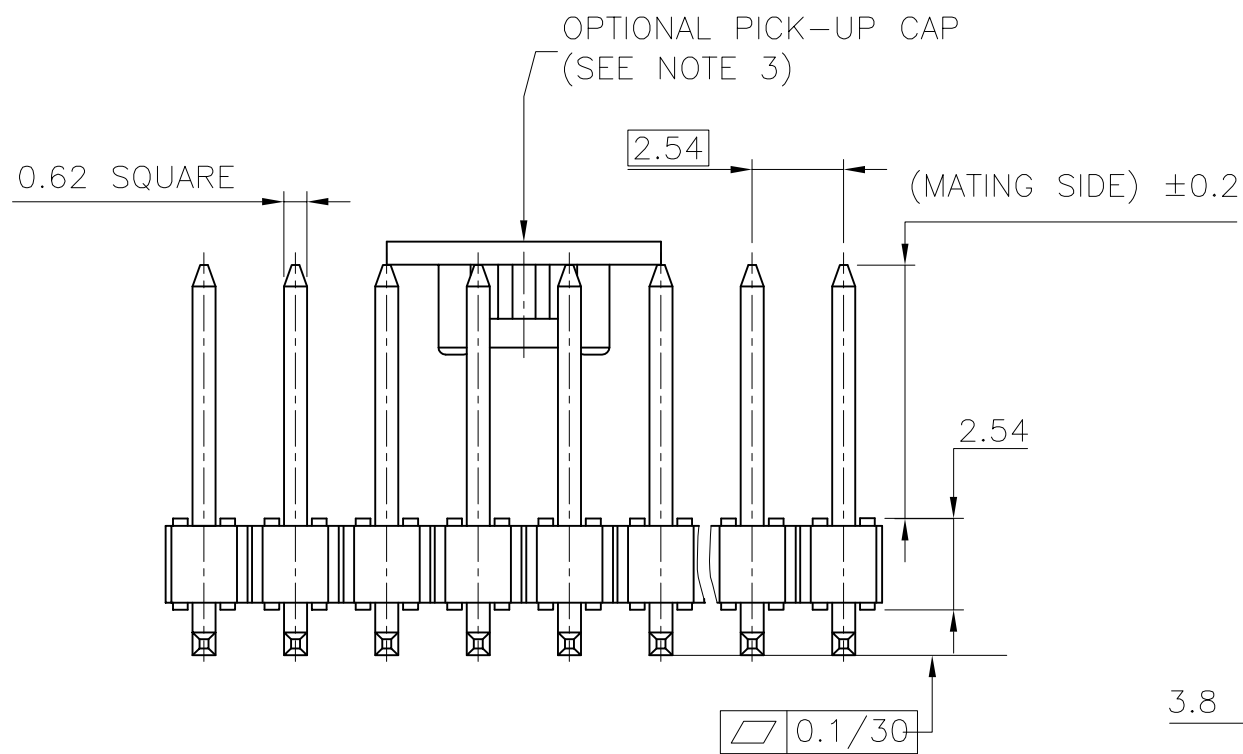
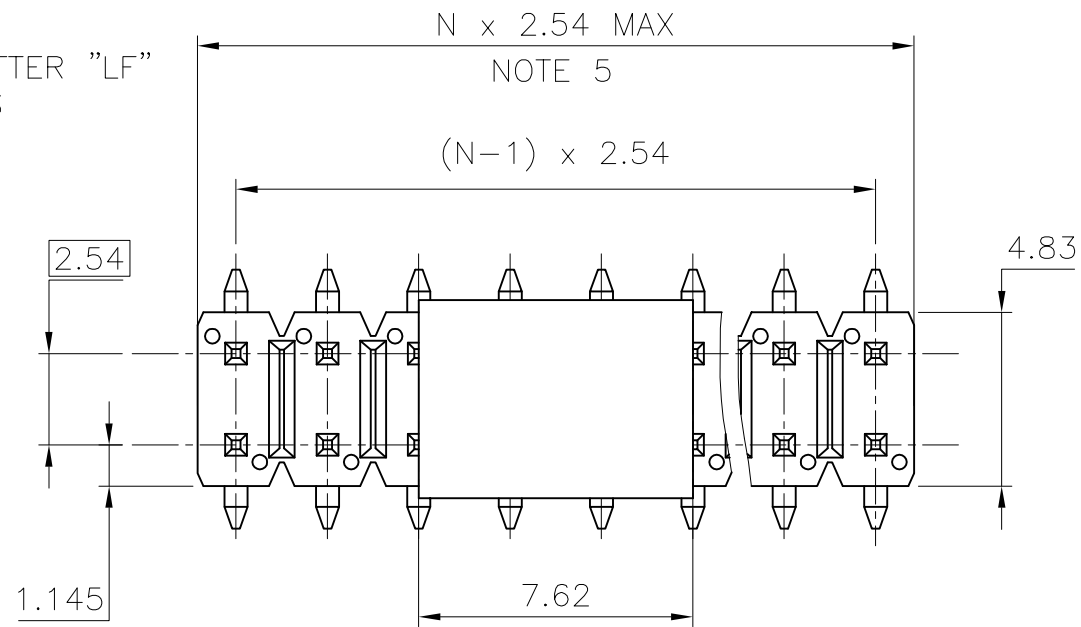
PRODUCT NUMBER

95278-YXX-XXLF

- WHEN REQUIRED, ADD SUFFIX LETTER "LF" INDICATES THE PRODUCT IS RoHS COMPATIBLE, SEE NOTE 6
- TOTAL NB OF POSITIONS 04 TO 50
- PACKAGING OPTIONS, NOTE 3.
- PIN STYLE SEE SHEET 2
- PLATING SEE SHEET 2

NOTES:

1. HOUSING MAT'L : HIGH TEMPERATURE THERMOPLASTIC. UL94V-0 COLOR: BLACK
2. PIN MATERIAL : PHOSPHOR BRONZE
- 3 - PACKAGING OPTIONS:
  - = POLY BAGS
  - B = TUBE + CAP
  - A = TAPE & REEL WITH CAP, SEE TA840 FOR PRODUCT AVAILABILITY.
4. 9N MIN RETENTION IN EITHER DIRECTION
5. TO DETERMINE DIMENSIONS :  
N = NUMBER OF POSITIONS PER ROW  
EXAMPLE : 8 POS  $N \times 2.54 = 20.32\text{mm}$
6. RoHS COMPATIBLE PRODUCT SPECIFICATIONS
  - a - PLATING:
    - "LF" MEANS THE PRODUCT IS LEAD-FREE,  $2\mu\text{m}$  MINIMUM MATTE TIN OVER  $1.27\mu\text{m}$  MINIMUM NICKEL UNDERPLATE.
  - b - MANUFACTURING PROCESS COMPATIBILITY
    - THE HOUSING WILL WITHSTAND EXPOSURE TO  $260^\circ\text{C}$  PEAK TEMPERATURE FOR 30 SECONDES IN A CONVECTION, INFRA-RED OR VAPOR PHASE REFLOW OVEN.
  - c - LABELING:
    - MEETS PACKAGING SPECS AS PER GS-14-920
  - d - LEGAL STATEMENT: SEE GS-22-008



mat'l. code				surface	tolerance	projection	product family	
				ISO 1302	ISO 406 ISO 1101		BERGSTIK	
ltr	ecn no	dr	date	tolerances unless	otherwise specified	mm	title	
N	F08-0148	RTR	08.03.31	angles	x.x ±0.3		UNSHR.HEADER	
				linear	x.xx ±0.13	scale 5:1	DR SMT	
H	F10181	LMU	01.03.29		x.xxx ±0.05		dwg no	
J	F04-0362	JCO	04.12.10	dr	D.LE		sheet 1 of 2	
K	F06-0168	LMU	06.04.21	enr	JM.C		95278	
L	F06-0208	JCO	06.06.22	chr	JM.C		A3	
M	F08-0124	LMU	08.02.11	appd	JF.N		type CUSTOMER Drawing	
sheet index	revision sheet	N	M					
		1	2					

CORE RANGE		
PLATING	PIN STYLE	MATING
1	01	5.9

PLATING  
 1 = 0.76µm GOLD/GXT ON CONTACT AREA  
 3.81µm TIN/LEAD ON TAIL

WHEN "LF" IS REQUIRED, 2µm MIN  
 MATTE TIN OVER 1.27µm MIN NICKEL  
 INSTEAD OF TIN-LEAD

CATALOGUE RANGE		
PLATING	PIN STYLE	MATING
4/8	01	5.9
1/4/8	02	8

PLATING  
 1 = 0.76µm GOLD/GXT ON CONTACT AREA  
 3.81µm TIN-LEAD ON TAIL

4 = 3.81µm TIN-LEAD ON CONTACT AREA  
 AND ON TAIL

8 = 0.38µm GOLD/GXT ON CONTACT AREA  
 3.81µm TIN-LEAD ON TAIL

WHEN "LF" IS REQUIRED, 2µm MIN  
 MATTE TIN OVER 1.27µm MIN NICKEL  
 INSTEAD OF TIN-LEAD

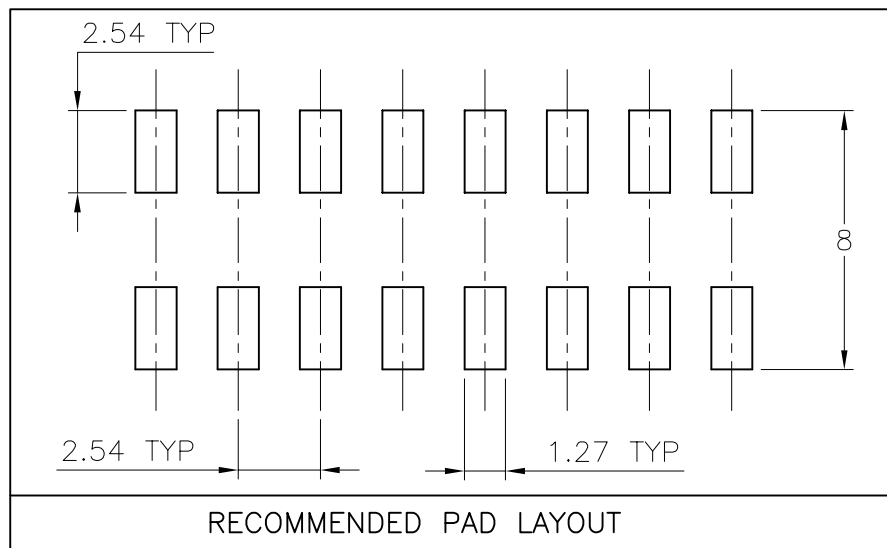
APPLICATION SPECIFIC		
PLATING	PIN STYLE	MATING
1/4/8	06	10.4
1/4/8	07	5.3

PLATING  
 1 = 0.76µm GOLD/GXT ON CONTACT AREA  
 3.81µm TIN-LEAD ON TAIL

4 = 3.81µm TIN-LEAD ON CONTACT AREA  
 AND ON TAIL

8 = 0.38µm GOLD/GXT ON CONTACT AREA  
 3.81µm TIN-LEAD ON TAIL

WHEN "LF" IS REQUIRED, 2µm MIN  
 MATTE TIN OVER 1.27µm MIN NICKEL  
 INSTEAD OF TIN-LEAD



mat'l. code				surface ISO 1302	tolerance ISO 406 ISO 1101	projection mm	product family BERGSTIK
ltr	ecn no	dr	date	tolerances unless otherwise specified	angles	linear	title UNSHR.HEADER DR SMT
F	F90116	DLE	99.01.27				
G	F10119	DLE	01.01.24				
H	F10181	LMU	01.03.29			scale N/A	
J	F04-0362	JCO	04.12.10	dr	D.LE	01.01.24	dwg no 95278
K	F06-0208	JCO	06.06.22	enr	JM.C	01.01.24	sheet 2 of - A3
L	F08-0124	LMU	08.02.11	chr	JM.C	01.01.24	
M	F08-0148	RTR	08.03.31	appd	JF.N	01.01.24	type CUSTOMER Drawing
sheet index	revision sheet						